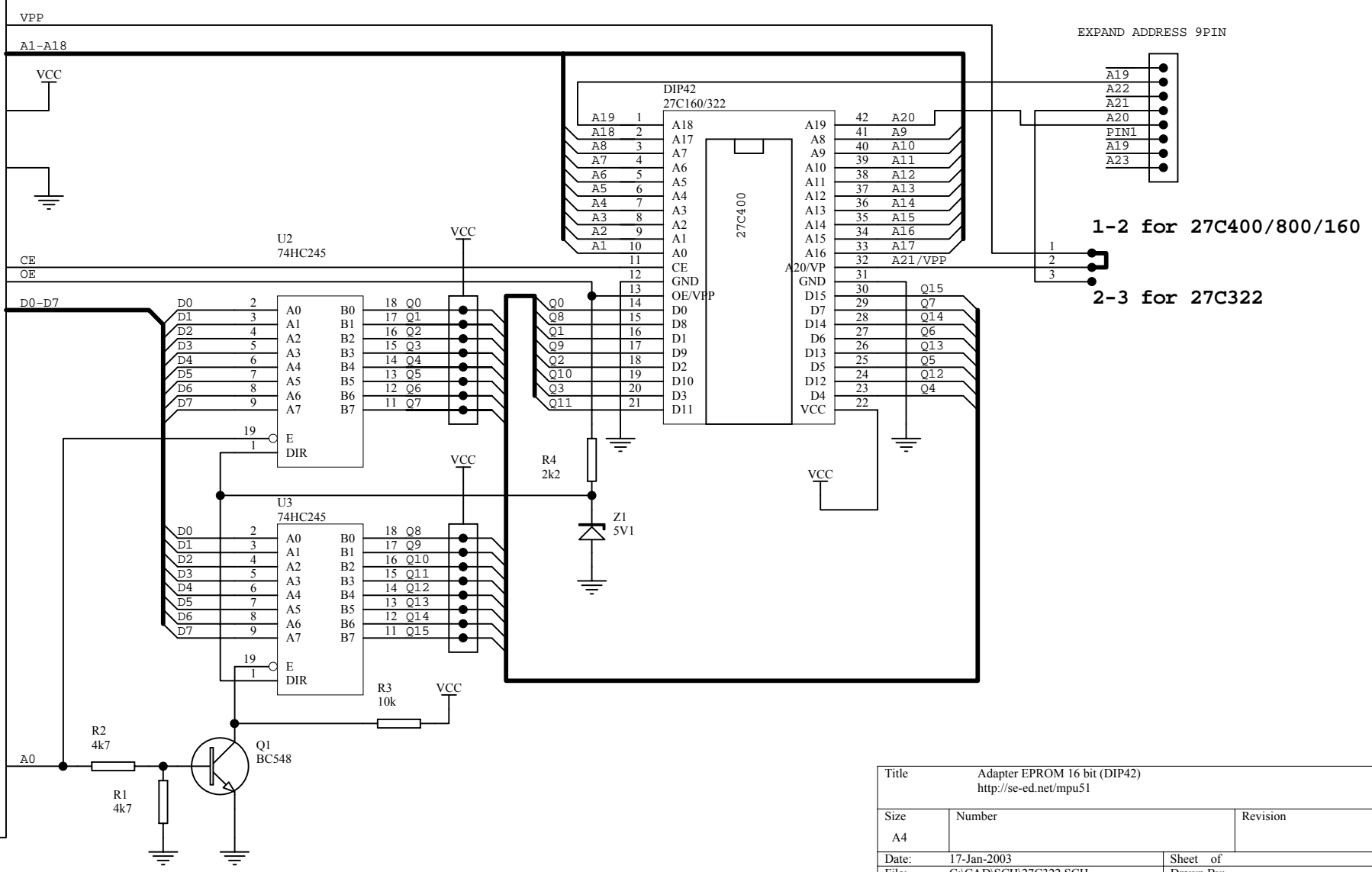


Adapter EPROM 16 bit (DIP42) for willem Eprom prog.

27C400/800/160/322

ZIF32



Title		
Adapter EPROM 16 bit (DIP42)		
http://se-ed.net/mpu51		
Size	Number	Revision
A4		
Date:	17-Jan-2003	Sheet of
File:	C:\CAD\SCH\27C322.SCH	Drawn By: