

D

D

C

C

B

B

A

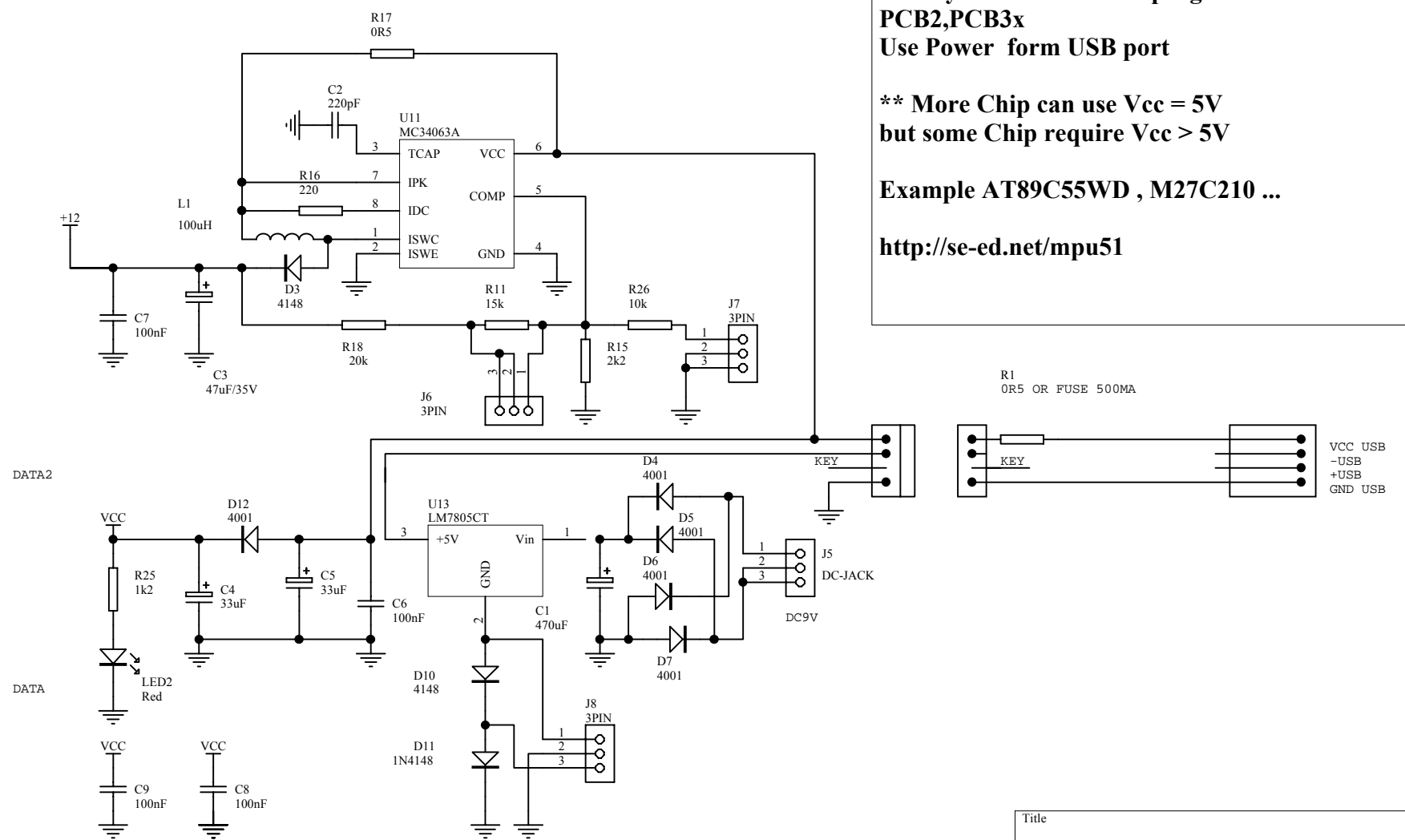
A

**Modify Willem EPROM prog.
PCB2,PCB3x
Use Power form USB port**

**** More Chip can use Vcc = 5V
but some Chip require Vcc > 5V**

Example AT89C55WD , M27C210 ...

<http://se-ed.net/mpu51>



Title		
Size	Number	Revision
A4		
Date:	31-Jul-2003	Sheet of
File:	C:\CAD\SCH\USBVCC.SCH	Drawn By: